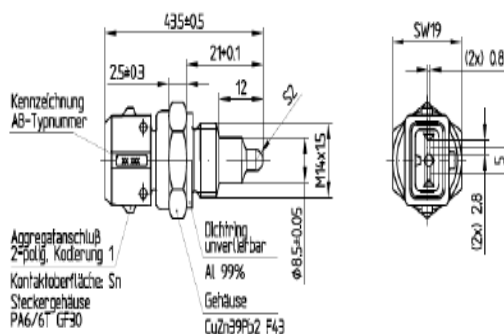


DATASHEET

TEMPERATURE SENSOR



94099



Benefits

The SSTS-94099 temperature sensor is a sturdy design, has proven sealing concepts, fast response times and they are 100% tested in production.

Applications

These sensors are suitable in a wide range of coolant, motor oil, fuel and liquid applications.

ELECTRICAL AND MOUNTING SPECIFICATIONS

Nominal Resistance	2.251 Ohm (25°C) / 153 Ohm (100°C)*
Temperature Range	-40°C to 155°C
Time of Response	T90 ≤ 15s (water)
Thread	M12x1.5 or M14x1.5
Connector	AMP Junior Power Timer, 2-polig
Sealing Ring	Al 99%, alternative Cu
Protection Range	IP69
Product Code	94099

*Other resistant values on request

General Note: SST Sensing Ltd reserves the right to make changes in product specifications without notice or liability. All information is subject to SST's own data and considered accurate at time of going to print.

WARNING:
 It is the customers responsibility to ensure that this product is suitable for use in their applications. For technical assistance or advice, please call us on +44(0)1698 740640 or email us: info@sstsensing.com