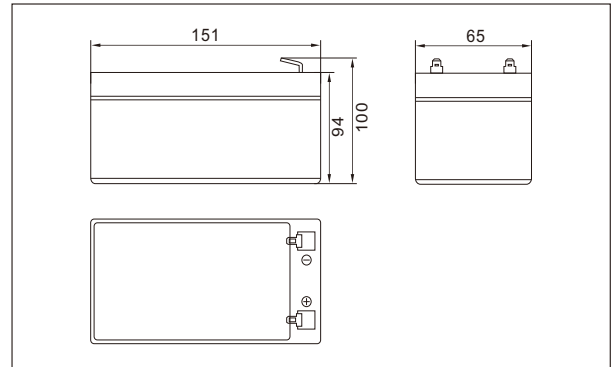




SW1225W(12V25W)



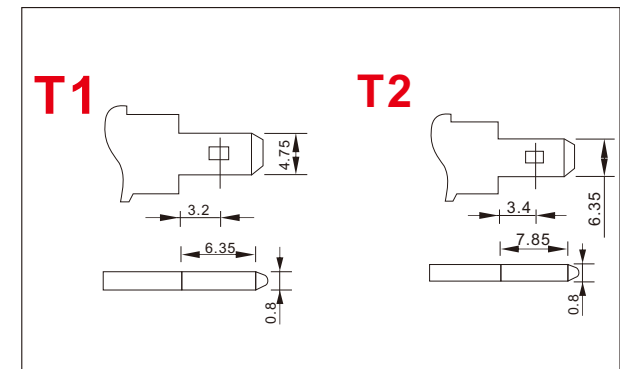
Outer dimensions (mm)



Specifications

Nominal Voltage	12V	
CAPACITY(15 minutes rate to 1.67V/cell)	25W	
Rated capacity (20 hour rate)	5Ah	
Dimensions	Total Height	100mm (3.94 inches)
	Height	94mm (3.70 inches)
	Length	151mm (5.94 inches)
	Width	51mm (2.01 inches)
Weight Approx	1.90Kg (4.24lbs)	

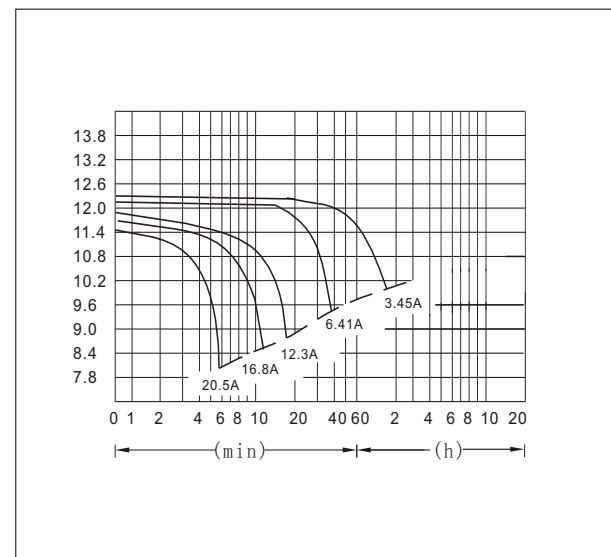
Terminal Type (mm)



Characteristics

Capacity 25°C(77°F)	30min rate 15min rate 6min rate	84.5W 150W 288W
Internal Resistance	Full charged Battery at 25°C(77°F)	16 mΩ
Capacity affected by Temperature (20hour rate)	40°C(104°F) 25°C(77°F) 0°C(32°F) -15°C(5°F)	102% 100% 85% 65%
Self-Discharge at 25°C(77°F)	Capacity after 3 month storage Capacity after 6 month storage Capacity after 12 month storage	91% 82% 64%
Terminal	T1、T2	
Charge (constant Voltage)	Cycle	Initial Charging Current less than 2.0A Voltage 14.50-15.00V
	Float	Voltage 13.50-13.80V

Discharge Curves 25°C(77°F)



Constant power discharge unit:watts(25°C , 77 °F)

	2MIN	4MIN	6MIN	8MIN	10MIN	15MIN	30MIN	60MIN
1.6V	496.3	370.5	288.6	246.8	212.4	156.7	89.4	48.1
1.67V	462.5	346.4	269.5	233.7	200.9	150.0	85.1	46.3
1.7V	448.2	336.1	261.3	228.2	195.9	147.1	84.5	45.5
1.75V	424.8	318.3	252.7	219.6	186.3	142.0	83.2	45.3
1.8V	401.4	301.0	244.0	211.0	176.7	136.8	81.8	45.1
1.85V	377.9	283.5	235.4	202.4	167.0	131.3	80.4	44.9

Constant current discharge unit:A(25°C , 77 °F)

	5MIN	10MIN	15MIN	30MIN	60MIN	5H	10H	20H
1.6V	21.30	16.89	12.07	6.74	3.67	0.93	0.48	0.27
1.67V	20.28	15.80	11.95	6.44	3.50	0.91	0.47	0.27
1.7V	19.31	15.47	11.24	6.32	3.44	0.90	0.47	0.26
1.75V	18.34	14.64	10.80	6.20	3.43	0.87	0.46	0.25
1.8V	17.13	13.80	10.35	6.09	3.41	0.84	0.45	0.25
1.85V	16.41	13.45	9.90	5.95	3.39	0.80	0.44	0.24